

DX70 Secure Phone Case



The CyberData DX70 Secure Phone Case takes a Cisco DX70 and protects it from damage. The DX70 is housed in a steel enclosure with security screws holding down the stainless steel front cover. The screen protector is replaceable Acrylic. The handset and cord cable are designed for demanding environments.

When the optional SPAR2 controller is installed, Biometric and RFID authentication is available. The SPAR2 controller incorporates an 802.3at 3 port gigabit switch for a single PoE connection to the unit.

Features

- Stainless Steel front cover
- Replaceable Acrylic cover for phone display
- Powder coated Back Box
- Handset with 32" armored cable
- USB Hookswitch controller

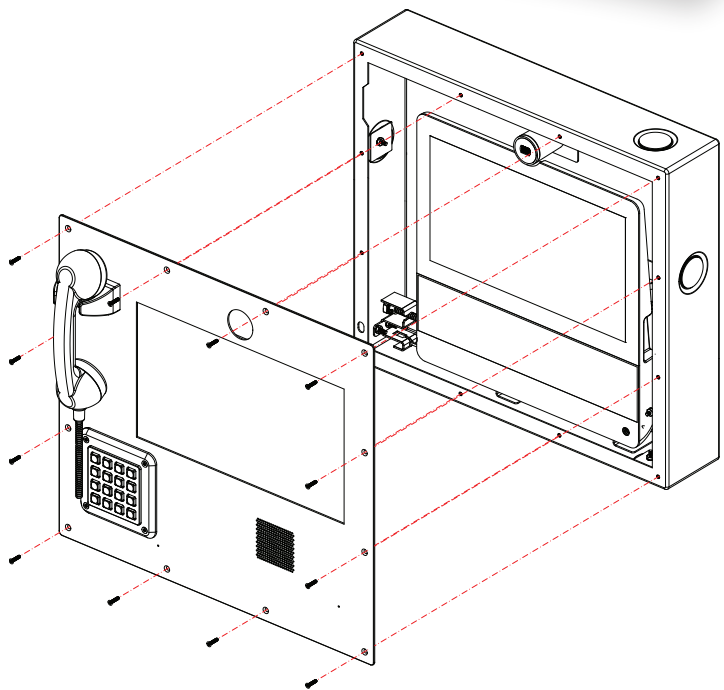
Options

- 16 key heavy duty keypad
- Requires Cisco Android OS**

Optional SPAR2 Controller

- Integrated 802.3at 2 port GB PoE switch
 - Biometric reader option
 - RFID reader option

MSRP: \$1000



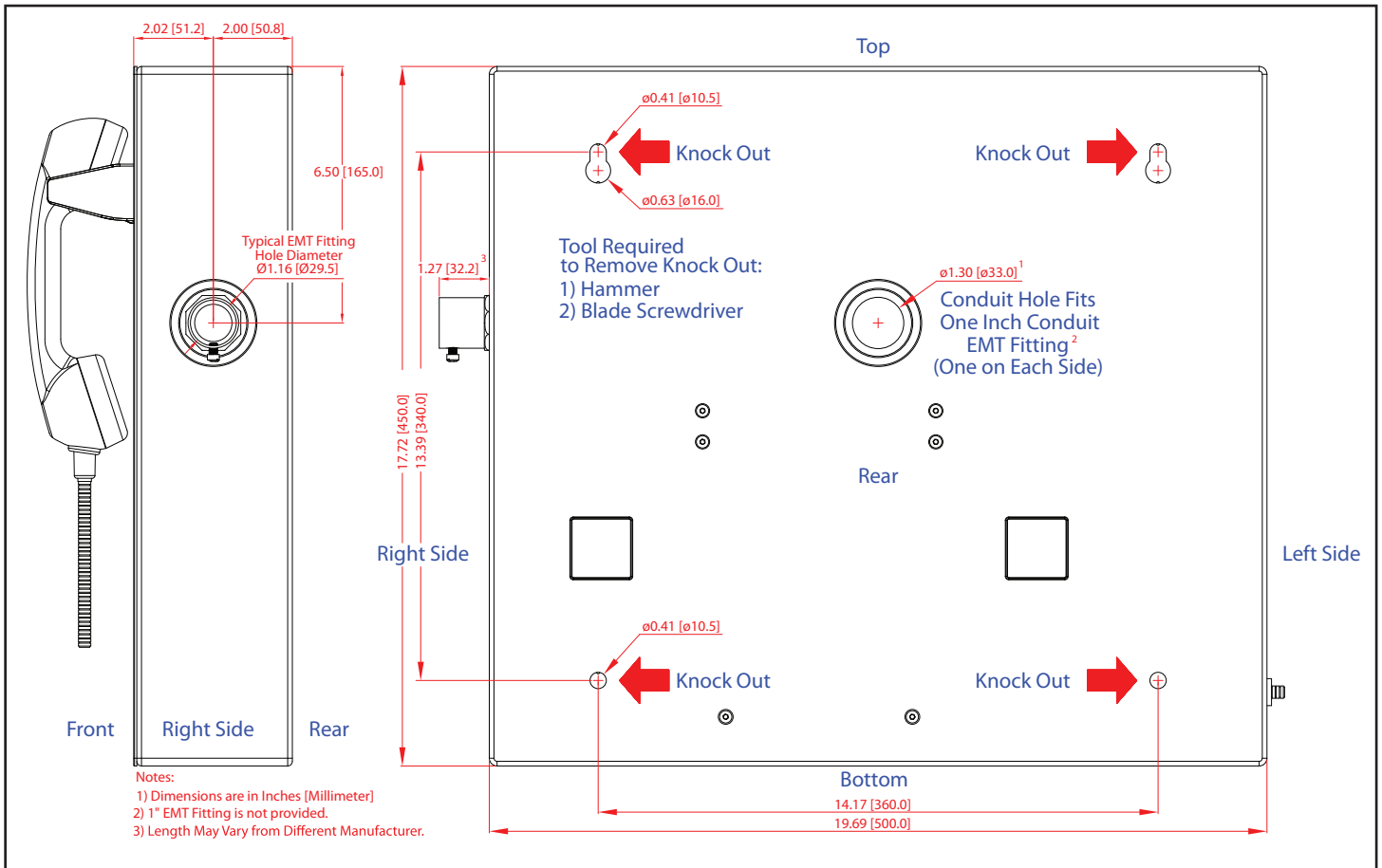
Part Numbers

- 011388A, Housing-DX70 Secure Phone-RoHS Compliant
- 011389A, Housing-DX70 Secure Phone-with RFID Reader-RoHS Compliant
- 011390A, Housing-DX70 Secure Phone-with 16 Key Keypad-RoHS Compliant
- 011391A, Housing-DX70 Secure Phone-with Biometric Reader and 16 Key Keypad-RoHS Compliant
- 011392A, Housing-DX70 Secure Phone-with RFID Reader and 16 Key Keypad-RoHS Compliant

CyberData
The IP Endpoint Company

DX70 Secure Phone Case

Mounting



Mounting

